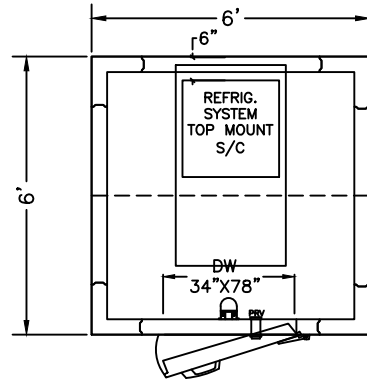


- Approved
- Approved as Noted
- Revise & Resubmit

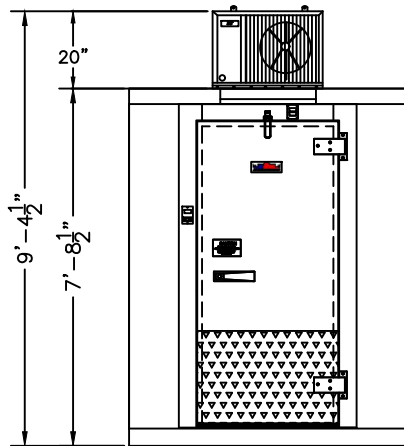
BY: \_\_\_\_\_

DATE: \_\_\_\_\_



**FREEZER**  
(WITH FLOOR PANELS)

**PLAN VIEW**  
RIGHT HINGE



**ELEVATION**  
RIGHT HINGE

**REFRIGERATION DESIGN CRITERIA**

ROOM AMBIENT TEMP:	90°F
AT CEILING AMBIENT TEMP:	95°F
PULLDOWN TIME:	24 Hours
HOLDING TEMP:	-10°F
DOOR OPENINGS PER HOUR:	2
INTERIOR/EXTERIOR FINISH	26 GA EMBOSSED GALVANIZED

**REFRIGERATION SPECIFICATIONS**

ELECTRICAL (VOLTS/Hz/PH)	208/230/60/1
AMPS	9.2
WEIGHT (LBS)	220
MATCHING NEMA RECEPTACLE	6-15R



Project: SURVIVOR SERIES

Project #:

Drafter:

Checker:

Date:

Dwg No:

11/13/2023

6X6 FRZ RH SC

Scale:

Sheet:

As Shown

1 OF 1

Rev:	A	-	B	-	C	-	D	-	E	-
------	---	---	---	---	---	---	---	---	---	---