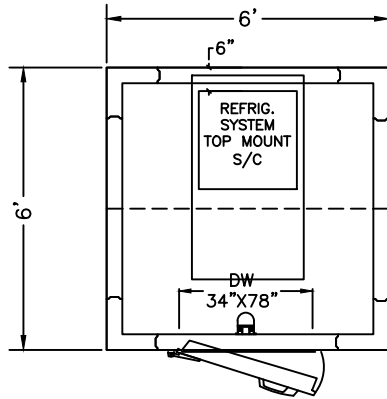


- Approved
- Approved as Noted
- Revise & Resubmit

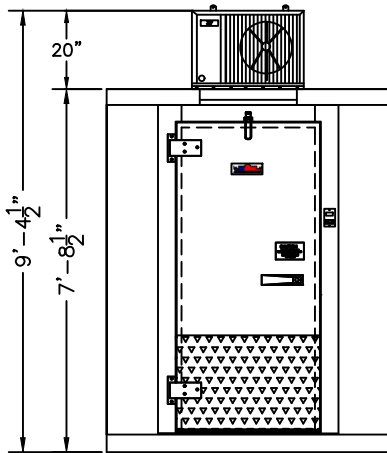
BY: _____

DATE: _____



COOLER
(WITH FLOOR PANELS)

PLAN VIEW



ELEVATION

REFRIGERATION DESIGN CRITERIA

ROOM AMBIENT TEMP:	90°F
AT CEILING AMBIENT TEMP:	95°F
PULLDOWN TIME:	24 Hours
HOLDING TEMP:	35°F
DOOR OPENINGS PER HOUR:	2
INTERIOR/EXTERIOR FINISH	26 GA EMBOSSED GALVANIZED

REFRIGERATION SPECIFICATIONS

ELECTRICAL (VOLTS/Hz/PH)	208/230/60/1
AMPS	6.3
WEIGHT (LBS)	195
MATCHING NEMA RECEPTACLE	5-20R



Project: SURVIVOR SERIES

Project #:

Drafter:	Checker:
—	—
Date:	Dwg No:
11/13/2023	6X6 W_FLR LH SC
Scale:	Sheet:
As Shown	1 OF 1

Rev:	A	-	B	-	C	-	D	-	E	-
------	---	---	---	---	---	---	---	---	---	---