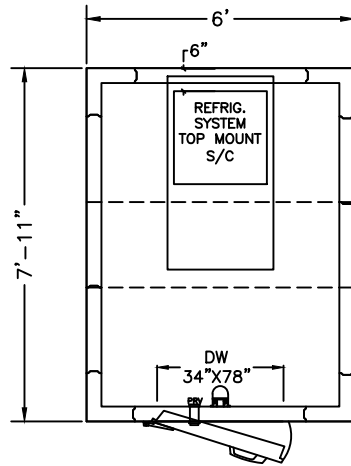


- Approved
- Approved as Noted
- Revise & Resubmit

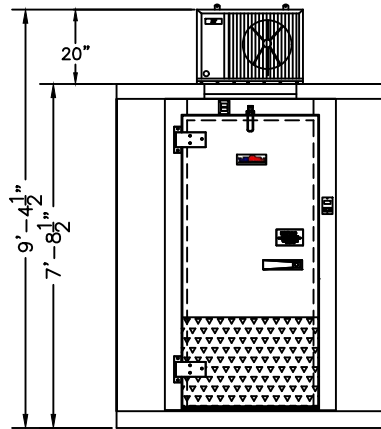
BY: _____

DATE: _____



FREEZER
(WITH FLOOR PANELS)

PLAN VIEW
LEFT HINGE



ELEVATION
LEFT HINGE

REFRIGERATION DESIGN CRITERIA

ROOM AMBIENT TEMP:	90°F
AT CEILING AMBIENT TEMP:	95°F
PULLDOWN TIME:	24 Hours
HOLDING TEMP:	-10°F
DOOR OPENINGS PER HOUR:	2
INTERIOR/EXTERIOR FINISH	26 GA EMBOSSED GALVANIZED

REFRIGERATION SPECIFICATIONS

ELECTRICAL (VOLTS/Hz/PH)	208/230/60/1
AMPS	12.4
WEIGHT (LBS)	225
MATCHING NEMA RECEPTACLE	6-20R



Project: SURVIVOR SERIES

Project #:

Drafter:

Checker:

Date:

Dwg No:

11/13/2023

6X8 FRZ LH SC

Scale:

Sheet:

As Shown

1 OF 1

Rev:	A	-	B	-	C	-	D	-	E	-
------	---	---	---	---	---	---	---	---	---	---