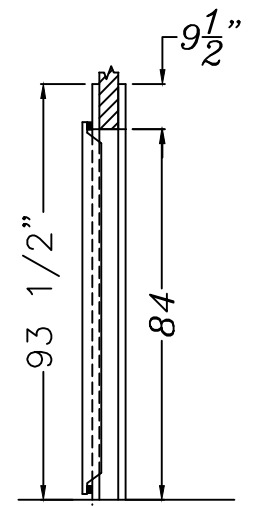
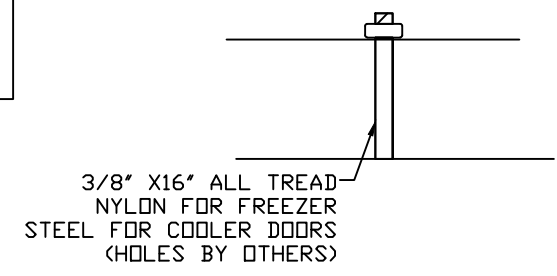
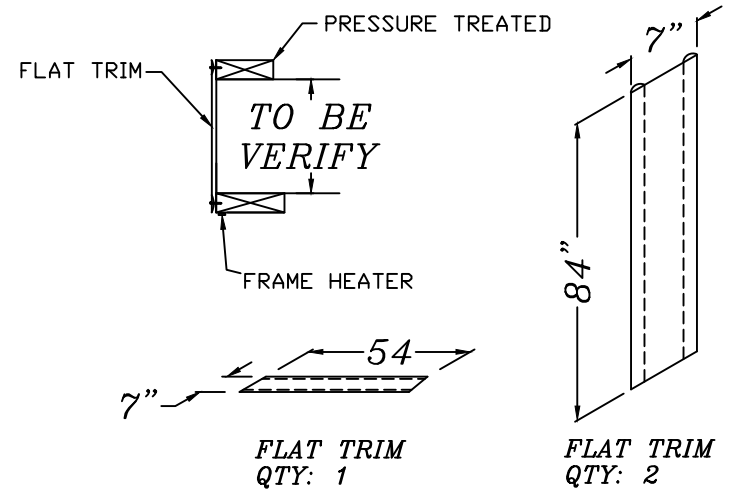


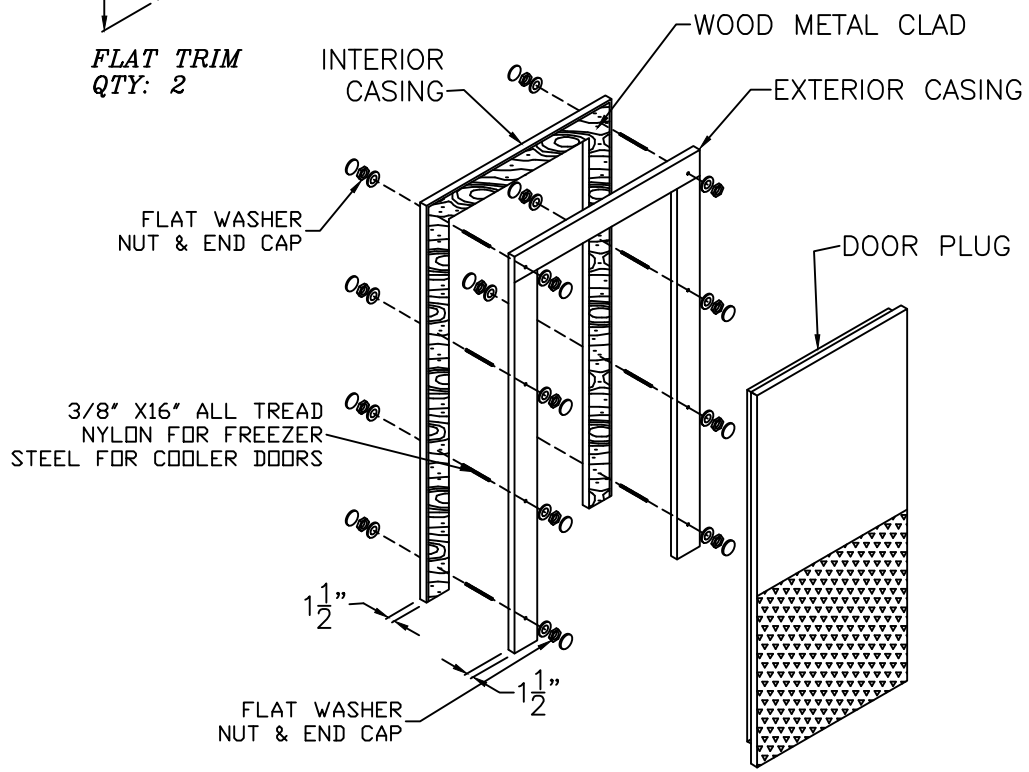
Approved
 Approved as Noted
 Revise & Resubmit
 BY: _____
 DATE: _____

CASING NO FLOOR LHH APPROVAL DRW

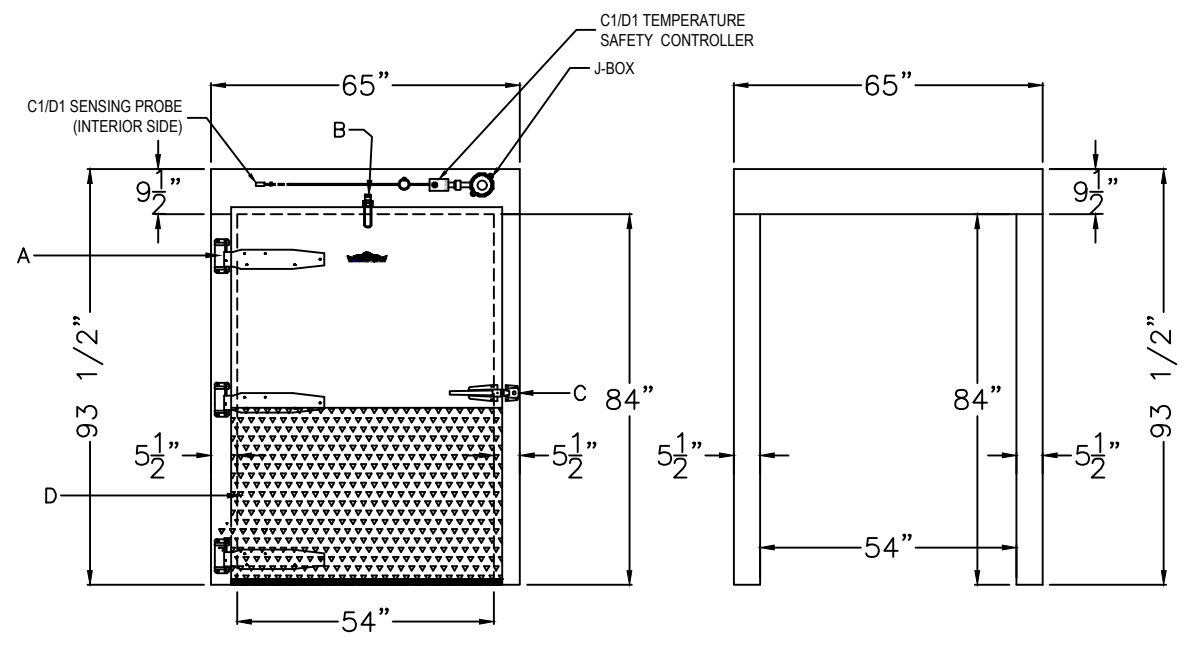
APPLICATION	
COOLER CASING DOOR	<input type="checkbox"/>
FREEZER CASING DOOR	<input checked="" type="checkbox"/>



SECTION VIEW



ISOMETRIC CASING DOOR



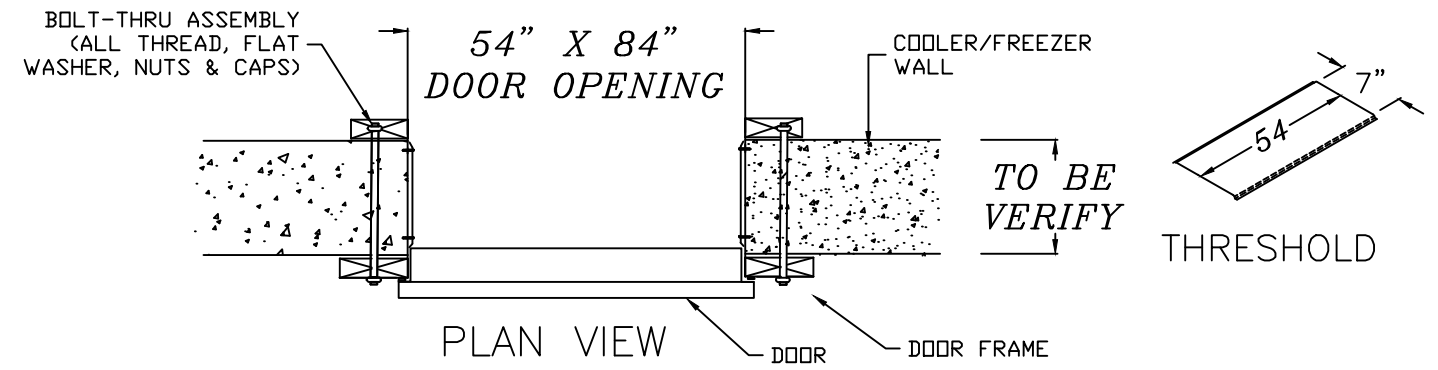
EXTERIOR CASING DOOR

INTERIOR CASING DOOR

- A-HEAVY DUTY HINGE 1277000018
- B-KASON 109400027D DOOR CLOSER
- C-K78CL5020 BROSHEDED CROME LATCH
- D-36\"/>

INTERIOR FINISH
22 GA STAINLESS STEEL

EXTERIOR FINISH
26 GA EMBOSSED GALVANIZED



PLAN VIEW



Project: AMERICAN WALK-IN COOLERS	
Project #: 2308-9034	
Drafter: PC	Checker: HA
Date: 11/10/2023	Dwg No: Q13385
Scale:	Sheet:
As Shown	APPROVAL OF 4

Rev:	A	11/13/23 BY RP	B	---	C	---	D	---	E	---
------	---	----------------	---	-----	---	-----	---	-----	---	-----