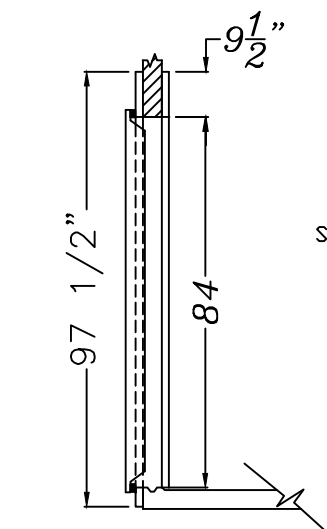
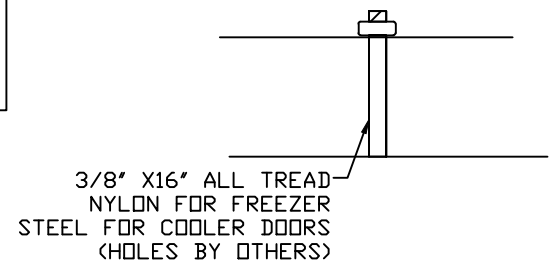
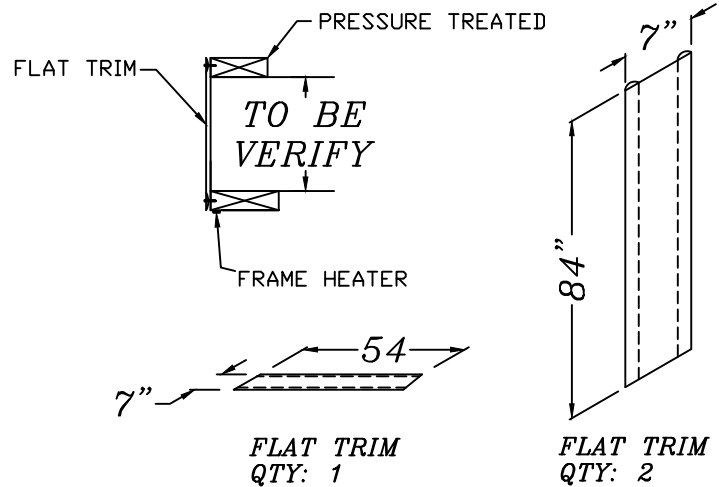


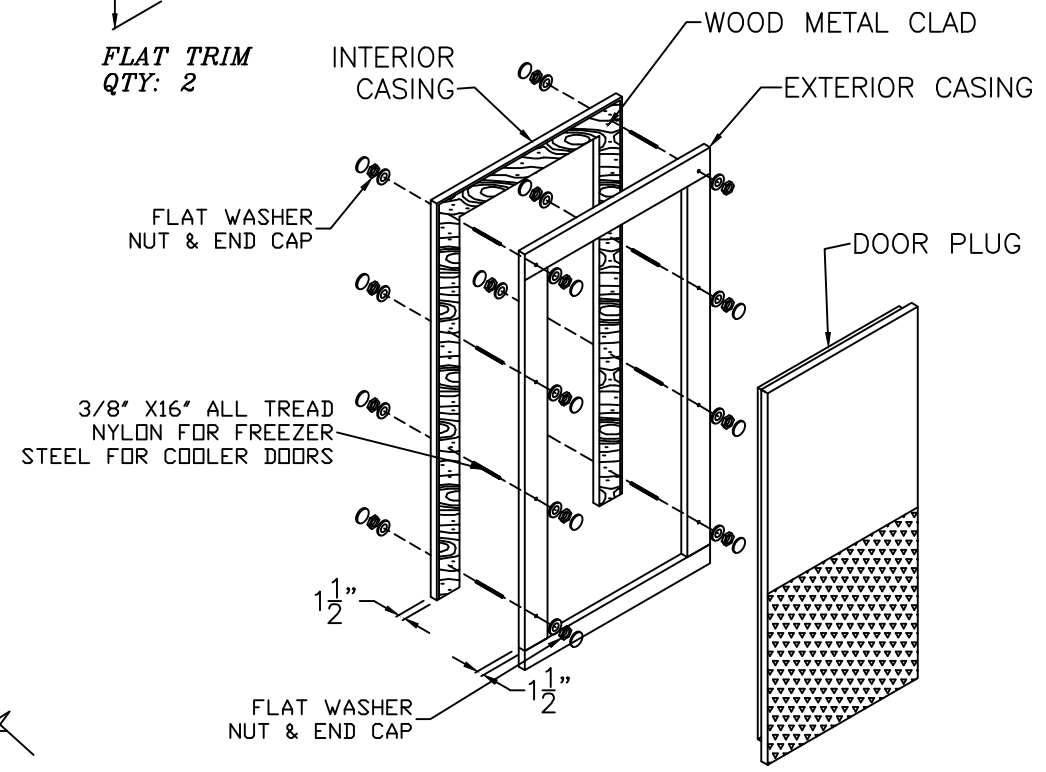
Approved
 Approved as Noted
 Revise & Resubmit
 BY: _____
 DATE: _____

CASING WITH FLOOR LHH APPROVAL DRW

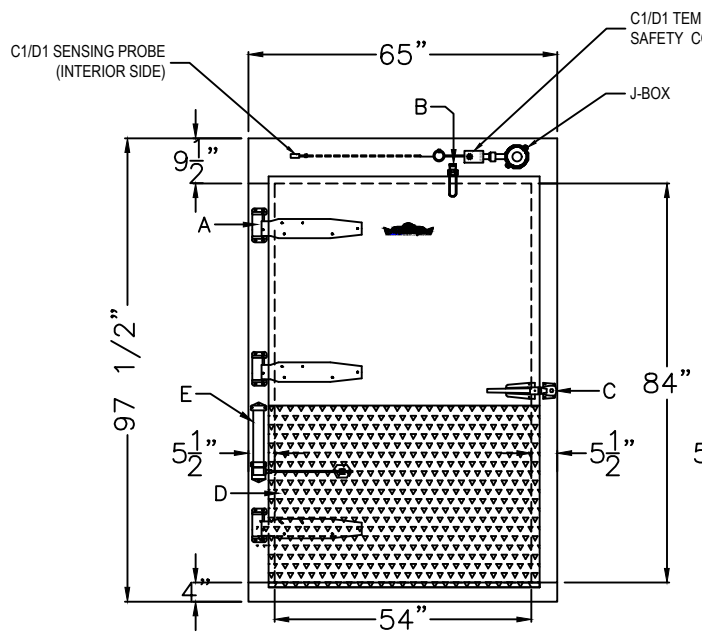
APPLICATION	
COOLER CASING DOOR	<input type="checkbox"/>
FREEZER CASING DOOR	<input checked="" type="checkbox"/>



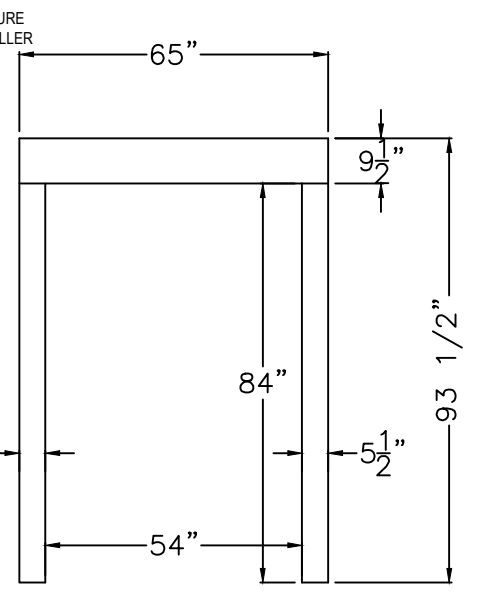
SECTION VIEW



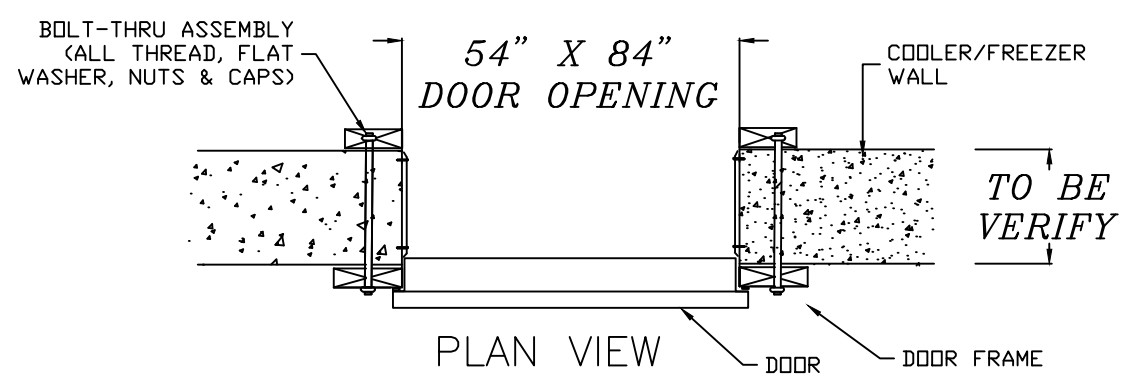
ISOMETRIC CASING DOOR



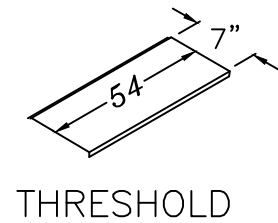
EXTERIOR CASING DOOR



INTERIOR CASING DOOR



PLAN VIEW



THRESHOLD

- A-HEAVY DUTY HINGE 1277000018
- B-KASON 109400027D DOOR CLOSER
- C-K78CL5020 BROSHE DROME LATCH
- D-36\"/>

INTERIOR FINISH
22 GA STAINLESS STEEL
EXTERIOR FINISH
26 GA EMBOSSED GALVANIZED



Project: AMERICAN WALK-IN COOLERS	
Project #: 2308-9034	
Drafter:	Checker:
PC	HA
Date:	Dwg No:
11/10/2023	Q13385
Scale:	Sheet:
As Shown	APPROVAL 4

Rev:	A	####	B	####	C	####	D	####	E	####
------	---	------	---	------	---	------	---	------	---	------