

Rollseal

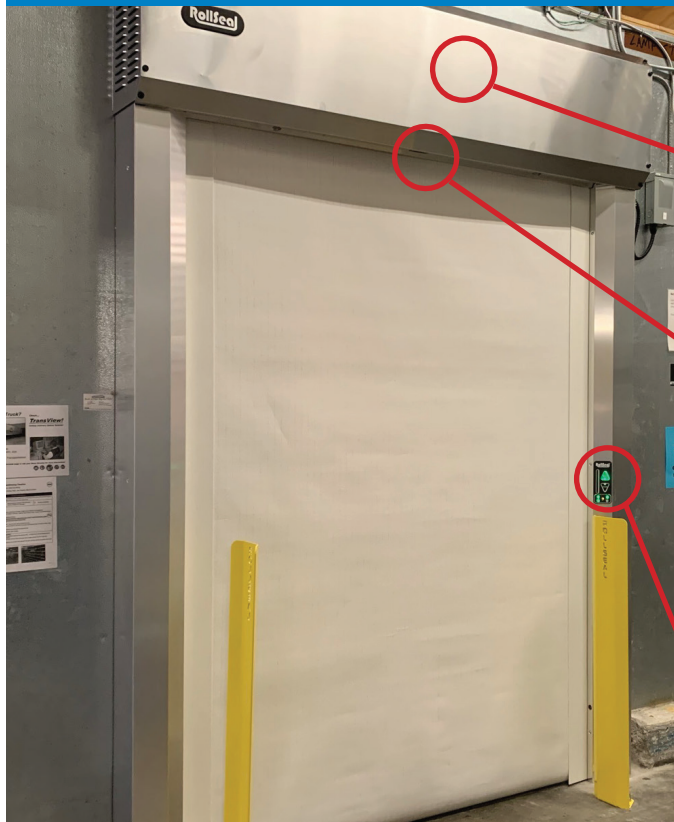
**RollSeal**<sup>®</sup>

NOTHING SEALS BETTER.

WALK-IN FREEZER **DOORS**

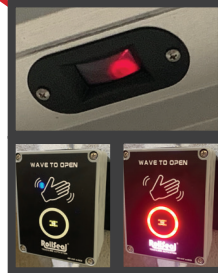
PROUDLY MADE IN U.S.A.

# ROLLSEAL® WALK-IN FREEZER DOORS



## CONDENSATION MANAGEMENT SYSTEM

The heated box and black hoses you are accustomed to seeing with previous model freezer doors is now gone. The new CMS system is now housed within the framework of the door through a pre-assembled duct system that moves heated air throughout the fabric layers of the door. Additionally, the new CMS System now has intelligence built into it that communicates temperature readings back to the door controller through thermistors mounted inside the ductwork.



## MOTION SENSOR & SMART WAVE SWITCH

The built-in motion sensor allows the door to be activated without pushing a button. The integrated sensor is calibrated so that it is only activated in close proximity to the door, eliminating nuisance triggers. This feature can be used as activation or as a secondary safety feature. The all-new **Smart Wave Switch** that serves as your interior activation device makes the WIF Door completely touchless for both entry and exit.



## SMART SWITCH

The RollSeal Door Smart Switch is located on the right hand track of the door. It comes standard with flashing LED technology. This RollSeal innovation can be used as an indication of door motion as well as troubleshooting.

## ROI BY THE NUMBERS

LOW  
TEMP  
FREEZER

6  
MONTHS



ESTIMATES THAT \$1 IN ENERGY SAVINGS INSIDE A GROCERY STORE IS EQUIVALENT TO INCREASING COUNTER SALES BY \$59. YOU DO THE MATH!

*\* ROI calculation based on a 6' wide by 9' high opening using DOE recognized ASHRAE standards with medium temp cooler @ 35F and low temp freezer @ -10F and assuming a 75F backroom environment.*

# THE ORIGINAL AND ONLY EISA EXEMPT FABRIC DOOR

## RollSeal Patented 3-Layer Sealing System

RollSeal's patented 3-Layer sealing system provides a complete, airtight, seal around the entire perimeter of the door opening. This system so far exceeded the EISA requirements, that prescribed an R-32 door be used on a freezer, it was given an exemption by the DOE.

### NEW! RAM PROTECTION BOLLARD SYSTEM KITS

Custom designed bollard system kits are designed for use on RollSeal Doors as well as any other industry standard door models. It's a challenge to make something as simple as a bollard unique, but RollSeal has brought the same attention to detail, rugged design and user friendly installation practices that we hold ourselves to on all of our products to the bollard kits. When used in conjunction with a RollSeal Door, the bollard package becomes a next step in the door becoming a full solution for your application.



SIZES UP TO 6' WIDE  
AND 9' TALL

SPEEDS UP TO 27"  
PER SECOND

208/230V SINGLE  
PHASE 50/60HZ

EISA Exempt per eCFR Part 431 (See Walk-In Cooler and Freezers - Doors at [regulations.doe.gov](https://www.regulations.doe.gov) for additional details)

## 75% REDUCTION IN OPEN TIMES

The Auto-Closure feature of the RollSeal Door has shown to keep doors closed more than 75% more time than with conventional manual (swing or sliding) doors. This leads to fewer service calls on refrigeration components and much more consistent box temperatures. It can be set from 5 seconds to 4 minutes of wait time before the door attempts to close.

### RollSeal Door Features:



PATENT END SEALING  
TECHNOLOGY



AUTO-CLOSURE FEATURE  
SAVES ENERGY & MONEY



IMPACT RESISTANT  
DESIGN



IDEAL FOR NEW  
CONSTRUCTION & RETRO-FIT



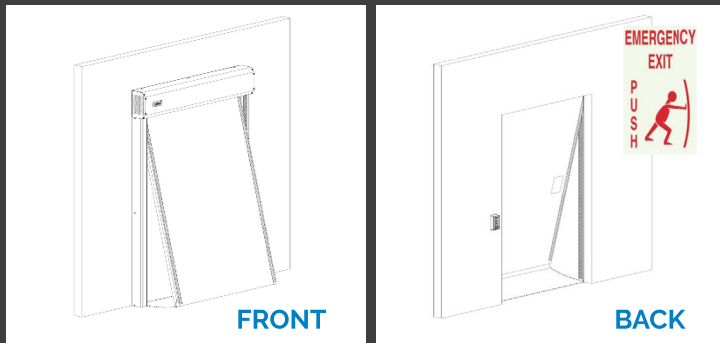
REDUCES OPERATIONAL  
FOOTPRINT



COMPLETE INSTALL  
IN 30-60 MINUTES

## Egress Track System (ETS)

Patented ETS (Egress Track System) allows the RollSeal WIF Door to be egressed in the event of power failure by simply pushing through the back of the door panel. The system complies with ADA requirements and includes a glow in the dark label on the inside panel of the door.



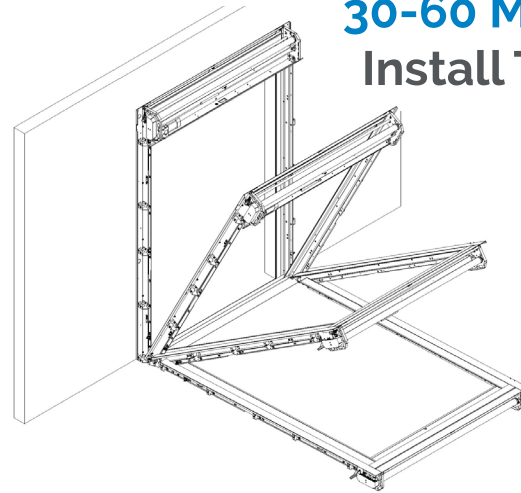
RollSeal is a family-owned, custom door company that manufactures 100% of our products from our home office in Bremen, Alabama USA. We supply a diverse line of products to markets ranging from agriculture to refrigeration to industrial applications. RollSeal manufacturers state-of-the-art automated roll-up fabric doors that help our customers save energy and money as well as add safety and efficiency to their operations.



## Easy Installation

Compact design and easy 3-step installation simplifies upgrades to existing walk-ins and implementation into new construction.

**30-60 Minute  
Install Time**



The RollSeal WIF door comes with 3 main components: the head unit and two tracks. The three components are assembled in front of the door opening using three bolts on each side of the door. Once the door is lifted into place it can be fastened to the wall. All electrical components are pre-wired with CPC connectors. Electrician required to bring power to one location and then start up can begin.

**A door opening of 30 seconds delivers an infiltration load from conditioned spaces greater than the 24 hours of an R-25 transmission loss if the door was fully closed & sealed.**



2006 ASHRAE  
Refrigeration Handbook  
CHAPTER 13

WALK-IN

1733 County Road 68  
Bremen, AL 35033

Tel: +1 888 765 5732  
Email: whyrollseal@hhtech.net

WWW.ROLLSEAL.NET