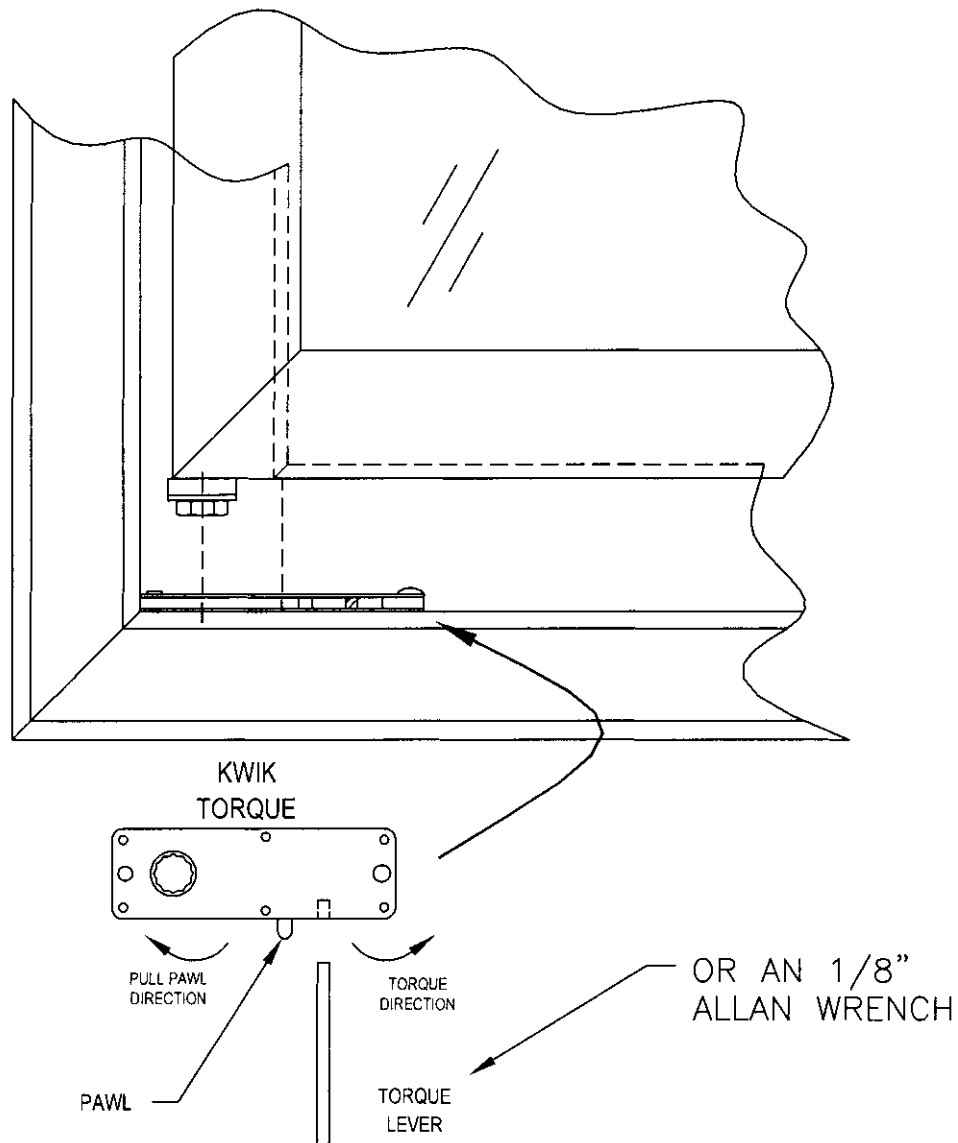


TORQUE INSTRUCTIONS:



WITH DOOR IN CLOSED POSITION, YOU WILL ENGAGE THE TORQUE OPERATED SELF CLOSING MECHANISM:

- A) USING THE TORQUE LEVER, INSERT LEVER INTO THE EXPOSED SQUARE OPENING ON THE BOTTOM DOOR HINGE, TURNING THE LEVER TOWARDS THE HANDLE WILL SET TORQUE.
- B) IF YOUR DOOR IS HINGED RIGHT, TURN THE LEVER TO THE LEFT, IF YOUR DOOR IS HINGED LEFT, TURN THE LEVER TO THE RIGHT.

CAUTION: EXCESSIVE TORQUE MAY RESULT IN DAMAGE. FACTORY RECOMMENDS 4 CLICKS, 5 MAXIMUM FOR PROPER DOOR TORQUE.

HOW TO RELEASE DOOR TORQUE:

- A) TO RELEASE TORQUE, INSERT TORQUE LEVER INTO BOTTOM DOOR HINGE.
- B) TURN LEVER IN SAME DIRECTION AS IF SETTING TORQUE (TOWARDS HANDLE) TO FREE PAWL ARM, PULL PAWL ARM AND HOLD WHILE TURNING LEVER BACK TOWARDS HINGE. YOU WILL HEAR TORQUE UNWIND. IF YOU CAN NOT HOLD PAWL WITH FINGER, USE NEEDLE NOSE PLIERS FOR THIS OPERATION.